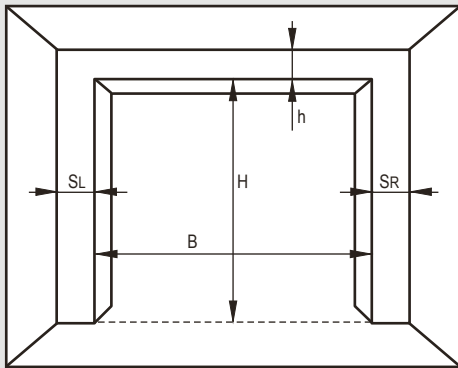
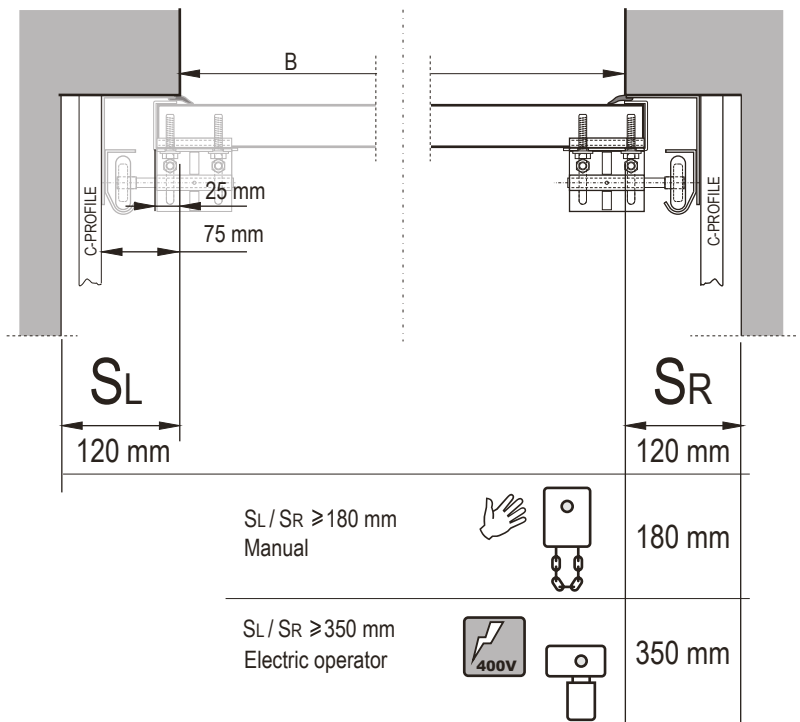
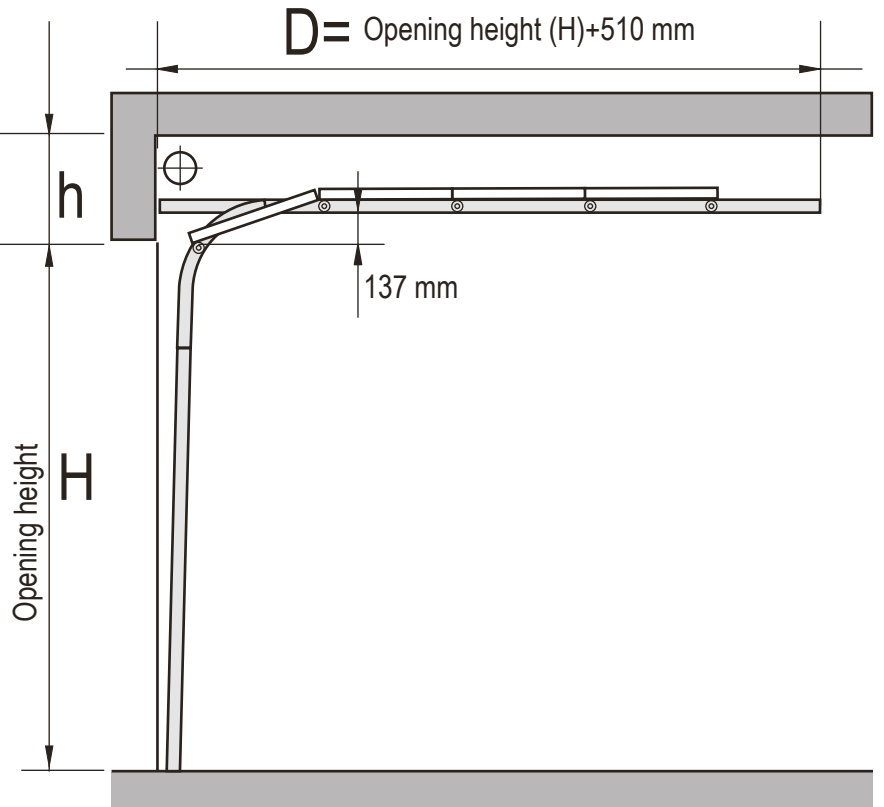


TRACK TYPES

$h \geq 350$  mm (opening height up to 3960 mm)  
 $\geq 360$  mm (opening height up to 5900 mm)



STANDARD LIFT TRACKS  
**STD**



Chain hoist or operator may be also installed on the left side (SL)

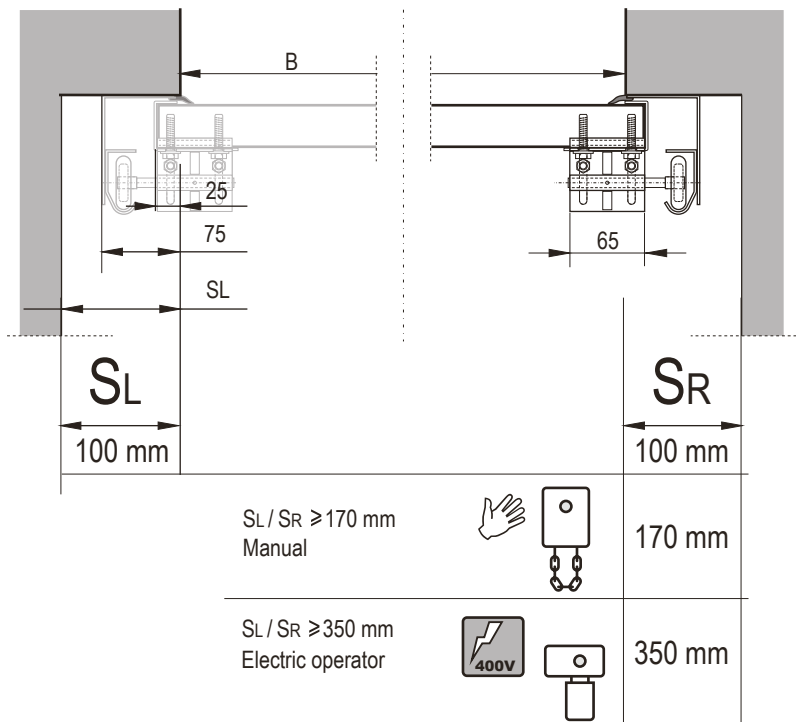
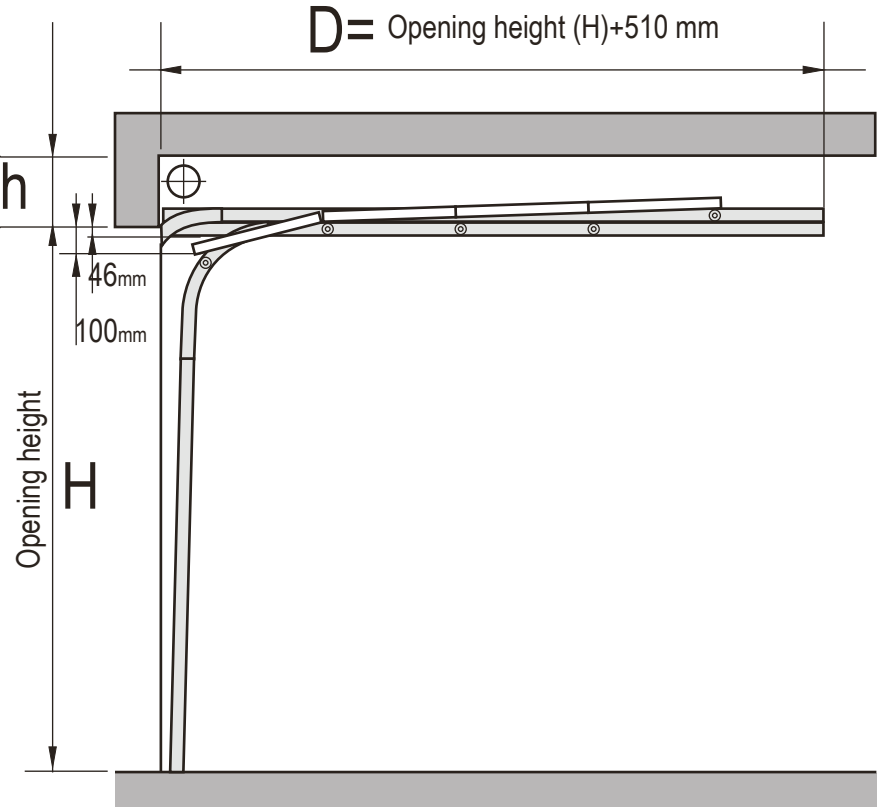
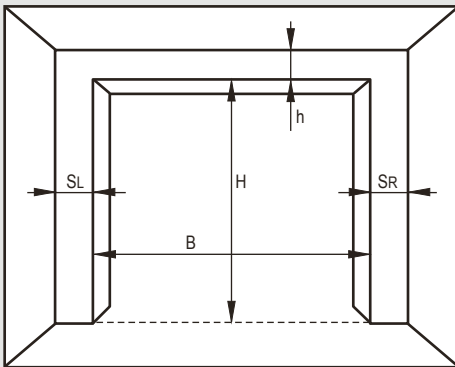
LOW HEADROOM TRACKS

**LHR-FM**

double tracks, front mounted springs

TRACK TYPES

$h \geq 220$  mm (opening height up to 3950 mm)  
 $h \geq 250$  mm (opening height up to 5900 mm)



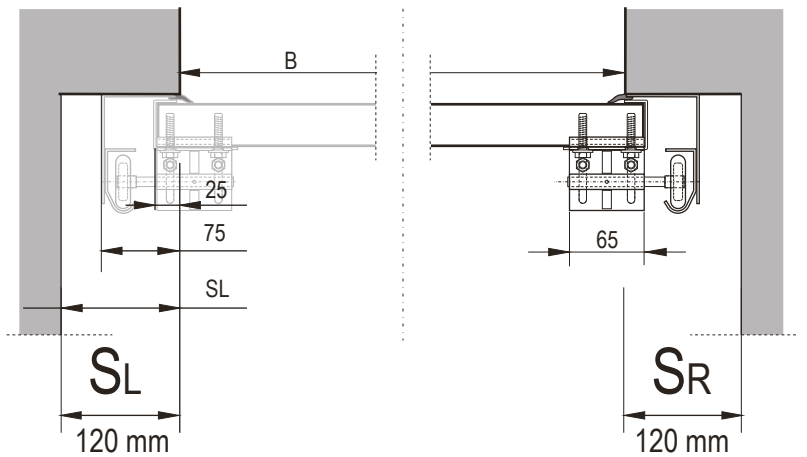
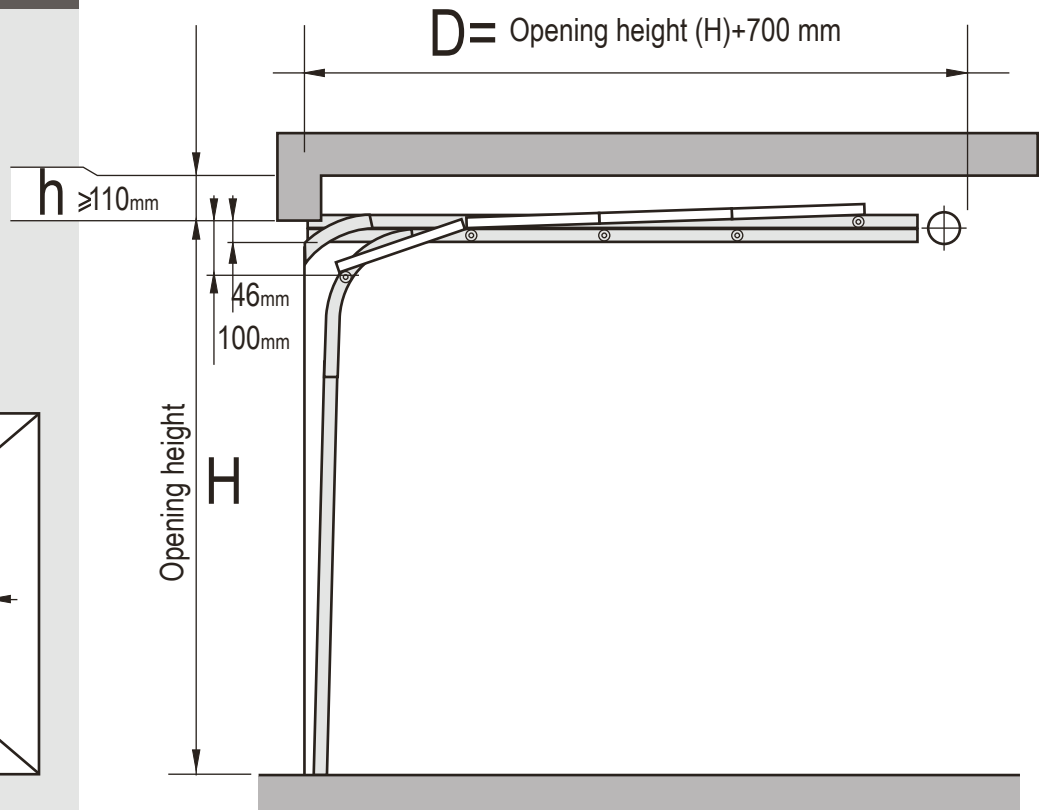
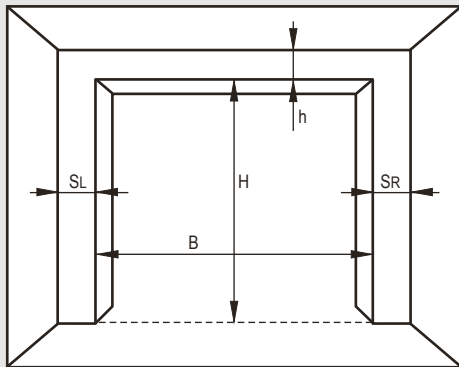
Chain hoist or operator may be also installed on the left side (SL)

LOW HEADROOM TRACKS

# LHR-RM

double tracks, rear mounted springs

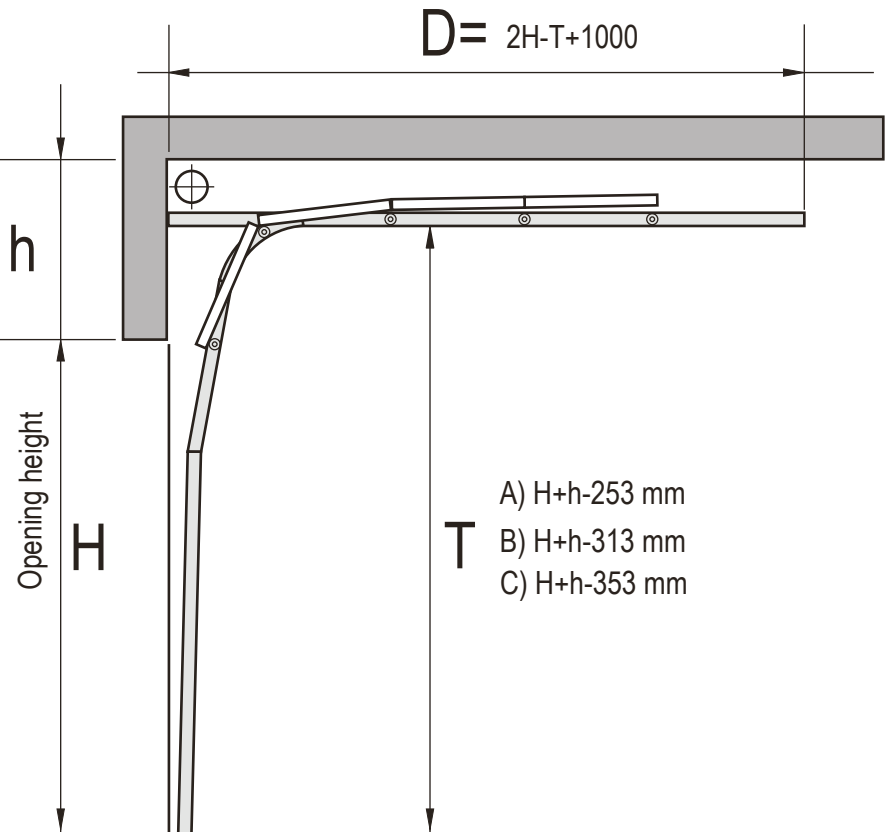
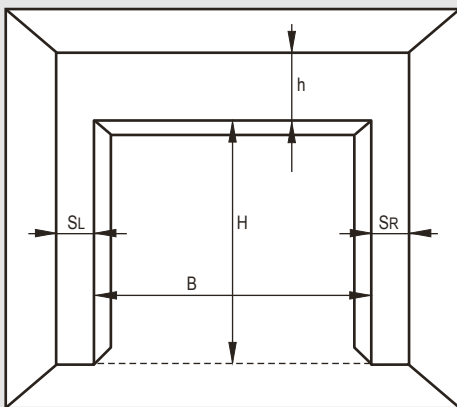
## TRACK TYPES



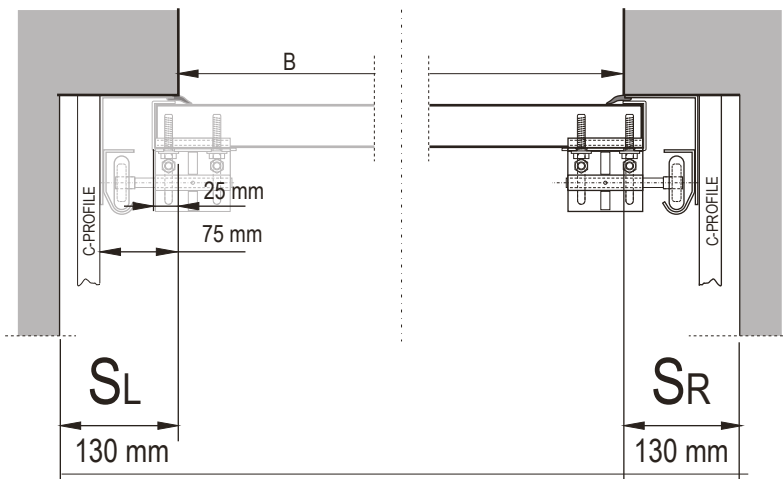
TRACK TYPES

HIGH LIFT TRACKS  
**HL**

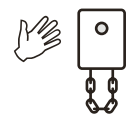
- )  $h \leq 1600$  mm
- ) B 1610 - 3350 mm
- C) 3360 - 4450 mm



- A)  $H + h - 253$  mm
- B)  $H + h - 313$  mm
- C)  $H + h - 353$  mm



SL / SR  $\geq 200$  mm  
Manual



200 mm

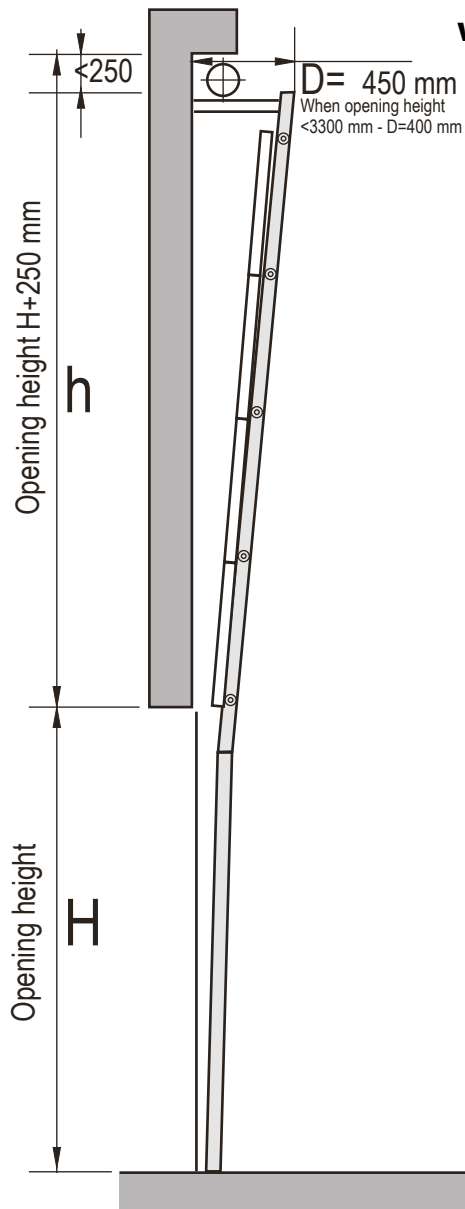
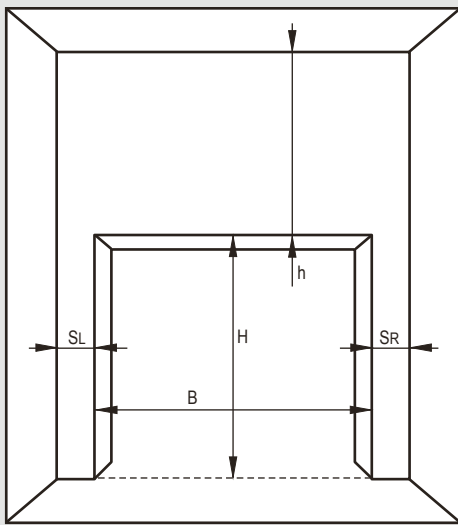
SL / SR  $\geq 350$  mm  
Electric operator



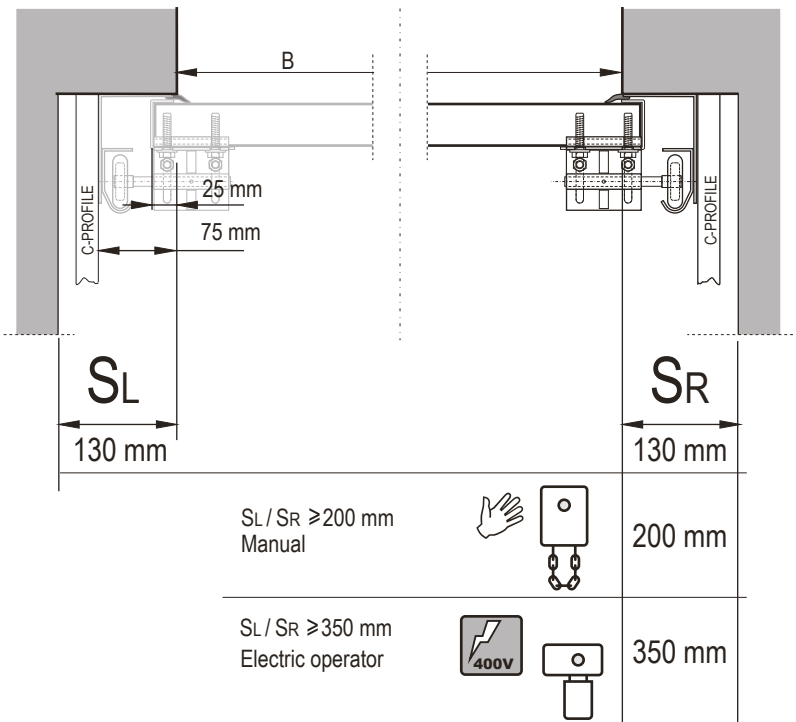
350 mm

Chain hoist or operator may be also installed on the left side (SL)

TRACK TYPES

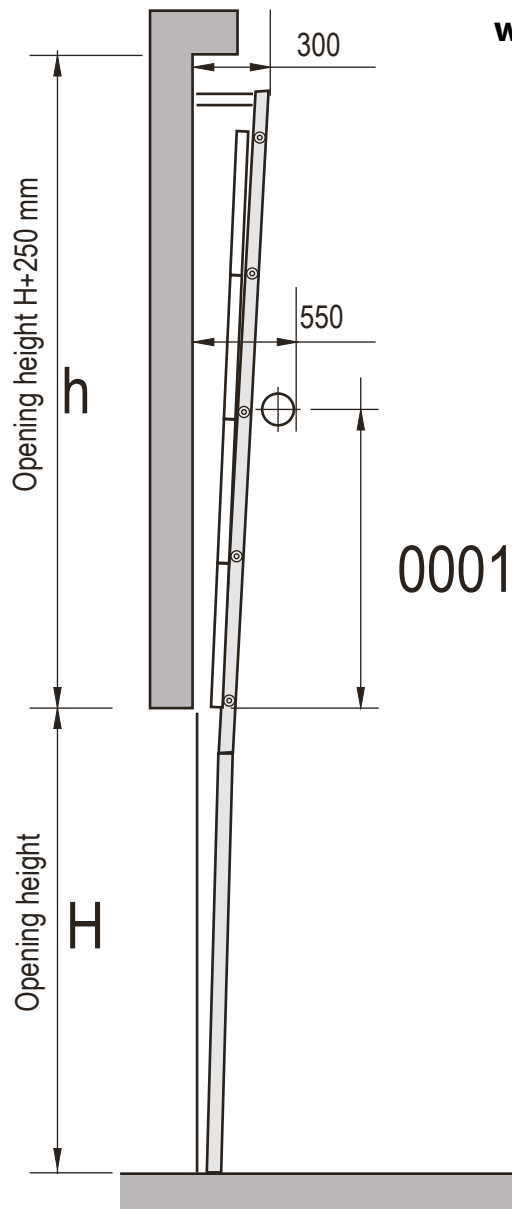
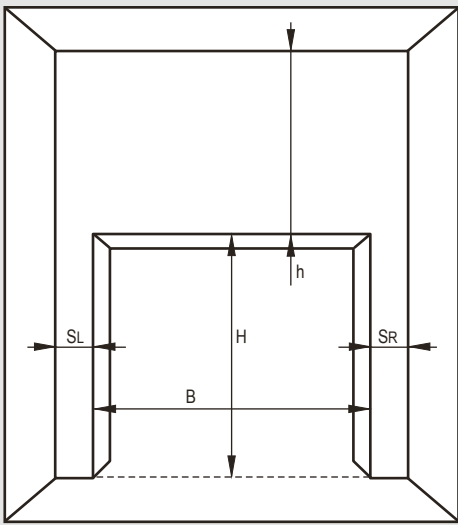


**VERTICAL  
LIFT TRACKS  
VL-TM**  
top mounted springs

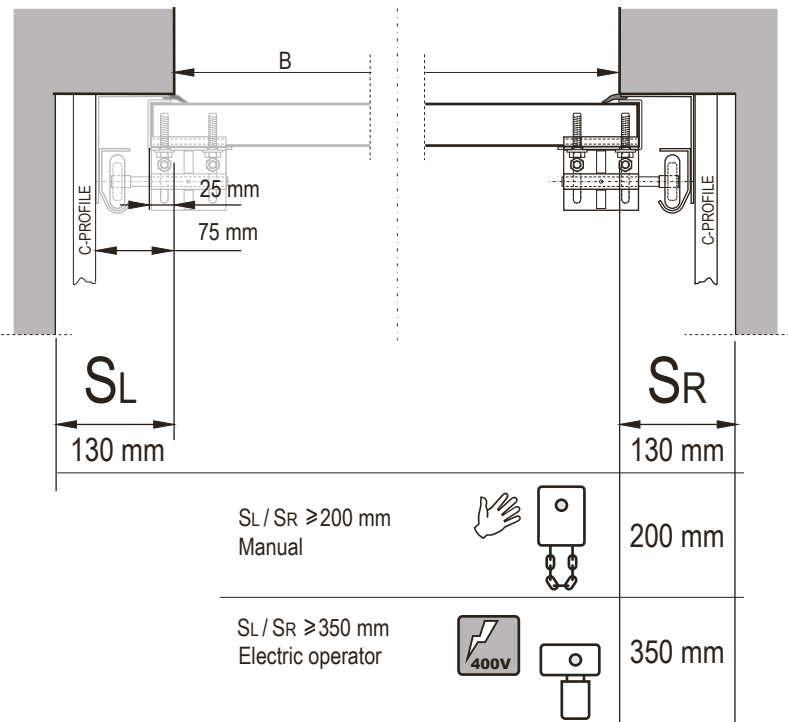


Chain hoist or operator may be also installed on the left side (SL)

TRACK TYPES



VERTICAL  
LIFT TRACKS  
**VL-MM**  
middle mounted springs



Chain hoist or operator may be also installed on the left side (SL)